

Diamond in a Cushion

Loren Brown, RSA Gems (c) 2018

Angles for R.I. = 1.620

35 + 16 girdles = 51 facets

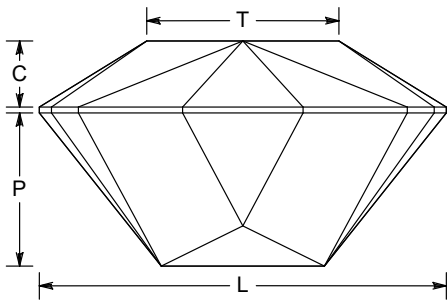
2-fold, mirror-image symmetry

96 index

$L/W = 1.400$ $T/W = 0.661$ $U/W = 0.661$

$P/W = 0.526$ $C/W = 0.227$

$Vol./W^3 = 0.472$



PAVILION

90.00°	24-72
90.00°	96-48
90.00°	21-27-69-75
90.00°	12-36-60-84
90.00°	02-46-50-94
49.22°	96-48
47.24°	02-46-50-94
45.23°	12-36-60-84
50.04°	21-27-69-75
51.42°	24-72
39.79°	96-48

CROWN

53.25°	96-48
49.32°	02-46-50-94
25.04°	12-36-60-84
0.00°	Table
30.11°	21-27-69-75
31.58°	24-72

Written for tourmaline

C:\Users\Loren Brown\Documents\Rectangles\Diamond in a cushion.gem