

## RS Hexagon

Loren Brown, RSA Gems

Angles for R.I. = 1.540

37 + 6 girdles = 43 facets

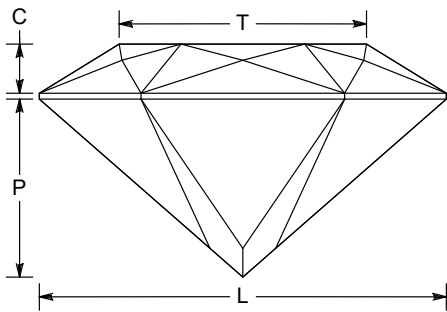
6-fold, mirror-image symmetry

96 index

$L/W = 1.155$   $T/W = 0.701$   $U/W = 0.607$

$P/W = 0.504$   $C/W = 0.139$

$Vol./W^3 = 0.251$



### PAVILION

90.00° 96-16-32-48-64-80

47.10° 96-16-32-48-64-80

41.10° 08-24-40-56-72-88

### CROWN

42.00° 96-16-32-48-64-80

33.63° 02-14-18-30-34-46-

50-62-66-78-82-94

0.00° Table

26.31° 96-16-32-48-64-80

Simple Hexagon for smaller stones

C:\Users\Loren Brown\Documents\Hex and Oct\RSHexagon.gem