

SplitFacetBrilliant

Loren Brown, RSA Gems 2019

Angles for R.I. = 1.610

105 + 16 girdles = 121 facets

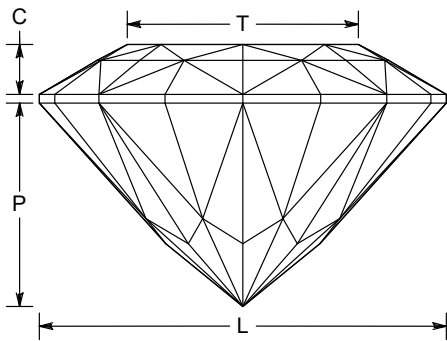
8-fold, mirror-image symmetry

96 index

L/W = 1.000 T/W = 0.567 U/W = 0.567

P/W = 0.499 C/W = 0.122

Vol./W³ = 0.220



PAVILION

| | |
|--------|---|
| 90.00° | 03-09-15-21-27-33-39-45- 51-57-63-69-75-81-87-93 |
| 50.00° | 03-09-15-21-27-33-39-45- 51-57-63-69-75-81-87-93 |
| 48.01° | 01-11-13-23-25-35-37-47- 49-59-61-71-73-83-85-95 |
| 40.15° | 04-08-16-20-28-32-40-44- 52-56-64-68-76-80-88-92 |

CROWN

| | |
|--------|---|
| 34.74° | 03-09-15-21-27-33-39-45- 51-57-63-69-75-81-87-93 |
| 30.50° | 01-11-13-23-25-35-37-47- 49-59-61-71-73-83-85-95 |
| 18.71° | 06-18-30-42-54-66-78-90 |
| 27.73° | 01-11-13-23-25-35-37-47- 49-59-61-71-73-83-85-95 |
| 0.00° | Table |

Simple experiment with split facets. Adds a little brilliance.

C:\Users\Loren Brown\Documents\Rounds\SplitFacetBrilliant.gem