

Tablet 12

Loren Brown, RSA Gems (c) 2018

Angles for R.I. = 1.760

37 + 12 girdles = 49 facets

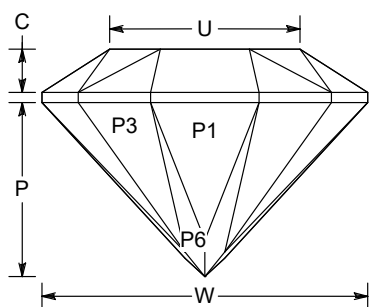
2-fold, mirror-image symmetry

96 index

$L/W = 1.250$ $T/W = 0.779$ $U/W = 0.584$

$P/W = 0.533$ $C/W = 0.132$

$Vol./W^3 = 0.328$



PAVILION

	90.00°	96-48
	90.00°	24-72
P1	41.00°	96-48
P2	47.38°	24-72
P3	41.02°	08-40-56-88
	90.00°	08-40-56-88
P4	42.88°	16-32-64-80
	90.00°	16-32-64-80
P5	43.50°	20-28-68-76
P6	39.49°	04-44-52-92

CROWN

C1	29.36°	96-48
C2	31.18°	08-40-56-88
C3	31.63°	16-32-64-80
C4	32.50°	24-72
T	0.00°	Table
C5	27.53°	12-36-60-84

Written for Sapphire

C:\Users\Loren Brown\Documents\Rectangles\Tablet12.gem