

The Star Within

Loren Brown, RSA Gems, 2019

Angles for R.I. = 1.710

137 + 16 girdles = 153 facets

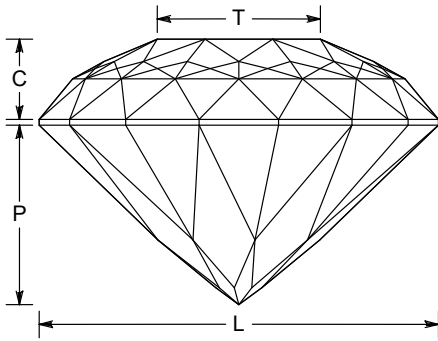
8-fold, mirror-image symmetry

96 index

L/W = 1.000 T/W = 0.409 U/W = 0.409

P/W = 0.449 C/W = 0.200

Vol./W³ = 0.237



PAVILION

90.00°	96-06-12-18-24-30-36-42-48-54-60-66-72-78-84-90
44.00°	96-06-12-18-24-30-36-42-48-54-60-66-72-78-84-90
42.00°	03-15-27-39-51-63-75-87
38.00°	09-21-33-45-57-69-81-93

CROWN

45.00°	03-09-15-21-27-33-39-45-51-57-63-69-75-81-87-93
32.00°	03-09-15-21-27-33-39-45-51-57-63-69-75-81-87-93
50.49°	96-06-12-18-24-30-36-42-48-54-60-66-72-78-84-90
0.00°	Table
29.00°	02-04-08-10-14-16-20-22-26-28-32-34-38-40-44-46-50-52-56-58-62-64-68-70-74-76-80-82-86-88-92-94
26.00°	03-09-15-21-27-33-39-45-51-57-63-69-75-81-87-93
22.67°	96-12-24-36-48-60-72-84

Written for garnet. This reveals the small star through the table nicely when viewed face on. Tilt performance is amazing. But you will have to adjust the angles for RI below about 1.65. Optimizing this design for light return can obscure the central star with too much brilliance.

C:\Users\Loren Brown\Documents\Rounds\TheStarWithin.gem